

# MAC series

## Specification

- Housing** Carbon steel.  
Phosphated.
- Ball** 1% carbon chromium steel.  
Heat treated.  
Chromium plated on the spherical surface.
- Liner** Reinforced PTFE.

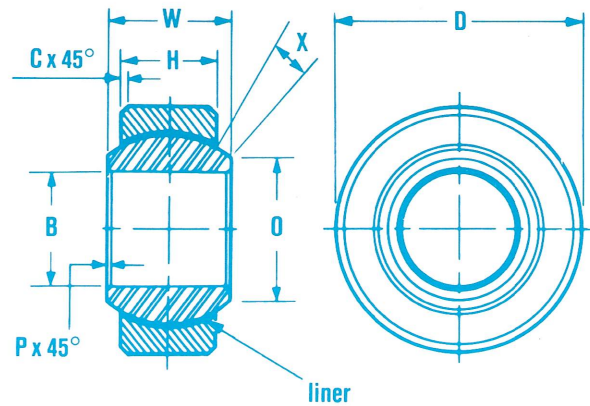
### Temperature and fits

The normal maximum operating temperature for these bearings is 120°C, although Rose Bearings technical department should be consulted where the normal operating temperature exceeds 80°C.

There is no measurable clearance in these bearings in the no load condition, and the tightness of the bearing is measured by the breakaway torque as indicated below.

Bearing size No load breakaway torque (Nm)

MAC  
05 – 20 0 – 0,56



## Metric dimensions

| Bearing number | B    | D           | W           | H             | O             | C           | P           | X         | Ball dia nom | Maximum static radial load in Newtons approx | Weight in kg each approx |
|----------------|------|-------------|-------------|---------------|---------------|-------------|-------------|-----------|--------------|--|--------------------------|
|                | Bore | Outside dia | Ball width  | Housing width | Ball flat dia | Chamfer     | Chamfer     | Angle deg |              |  |                          |
|                | H7   | h6          | + 0<br>-0,1 | +0,1<br>-0,1  |               | +0,4<br>- 0 | +0,4<br>- 0 |           |              |  |                          |
| MAC 05         | 5    | 16          | 8           | 6,0           | 7,7           | 0,5         | 0,2         | 12,5      | 11,11        | 26 480                                       | 0,009                    |
| MAC 06         | 6    | 18          | 9           | 6,75          | 8,9           | 0,5         | 0,3         | 12,5      | 12,70        | 33 340                                       | 0,013                    |
| MAC 08         | 8    | 22          | 12          | 9,0           | 10,4          | 0,8         | 0,3         | 14,0      | 15,87        | 56 880                                       | 0,024                    |
| MAC 10         | 10   | 26          | 14          | 10,5          | 12,9          | 0,8         | 0,4         | 13,5      | 19,05        | 80 410                                       | 0,040                    |
| MAC 12         | 12   | 30          | 16          | 12,0          | 15,4          | 0,8         | 0,4         | 13,0      | 22,22        | 108 850                                      | 0,080                    |
| MAC 16         | 16   | 38          | 21          | 15,0          | 19,3          | 1,0         | 0,5         | 15,0      | 28,57        | 176 520                                      | 0,130                    |
| MAC 20         | 20   | 46          | 25          | 18,0          | 24,3          | 1,0         | 0,8         | 14,5      | 34,92        | 256 930                                      | 0,230                    |